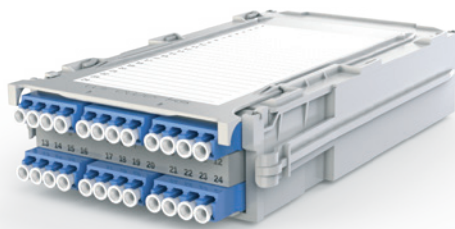


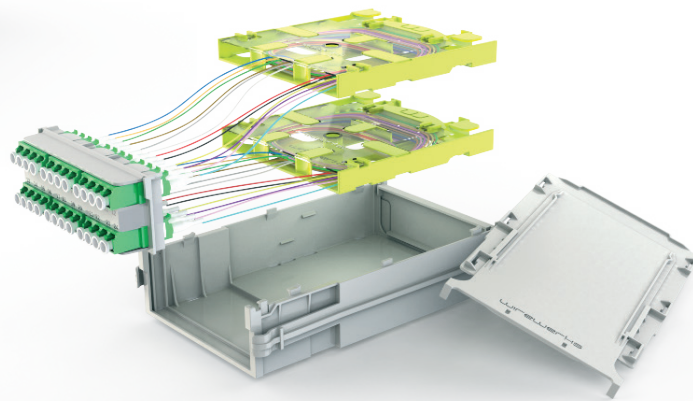
NEXTSTEP™

3-SERIES LOADED PATCH MODULE

PDS-0232



NextSTEP
3-Series Patch Module



NextSTEP
3-Series Patch Module exploded view



NextSTEP 3-Series Patch Module
loaded in NextSTEP 1U Patch Panel

DESCRIPTION

Wirewerks' **NextSTEP Technology™** fiber management system is a multi-award winning solution for fiber management applications in Data Centers, MSO/Broadband networks and Enterprise LANs. The NextSTEP system includes rack and wall-mount patch panels; the industry's smallest footprint/highest density optical distribution frame (ODF); two series (styles) of slide-in fiber management modules, splice trays and adapter modules; and Wirewerks' exclusive magnetic fiber management accessories.

Wirewerks **NextSTEP™ 3-Series Patch Modules** are one of a family of slide-in NextSTEP **3-Series** fiber management modules that are fully compatible with all NextSTEP patch panels and enclosures. **3-Series** modules occupy three horizontal slots (shelf positions) in NextSTEP panels, presenting all front mounted ports in the same vertical plane (flush), with support for up to 96 fibers/ports in 1RU as preferred by many users.

NextSTEP 3S-Patch Modules are used to house incoming pre-terminated cable assemblies or to provide fusion splicing for up to 24 LC or 12 SC ports on the front of each module, providing up to 96 LC or 48 SC ports in 1RU.

Each **NextSTEP 3S-Patch Module** includes one or (optionally) two removable **Mini-Splice Trays** (see PDS-0240) that facilitate fusion splicing of loose-tube, tight-buffered or ribbon cables while providing routing, strain-relief and bend-radius protection for fibers within the module.

NextSTEP 3S-Patch Modules present all front facing LC/SC ports in the same vertical plane (flush) allowing easy port access for patching and maintenance operations. Installation and maintenance is made easier and faster with a removable front faceplate. Port identification is made easy with a large slide-out port 'labeling plate' that provides generous space for recording port ID details and the module's internal configuration. The 'labeling plate' slides out without disturbing the attached module or any surrounding modules, allowing technicians to verify a module's port addresses and internal configuration without disturbing fibers or connections.

NextSTEP 3S-Patch Modules include integrated cable management features that provide routing, strain-relief and bend-radius protection. These features secure cables, splices and connectors within the module, eliminating unwanted movement in adjacent fibers or connections when attaching or removing patch cords or performing maintenance operations.

The **NextSTEP 3S-Module** breaks down into three main elements:

Patch Module Chassis

The high-impact ABS thermoplastic **Chassis** features two cable entry points at the rear and a removable **Faceplate** with 24 LC or 12 SC flush duplex/quad adapters (dust caps included).

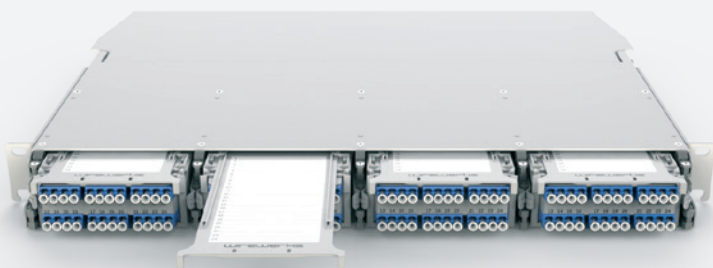
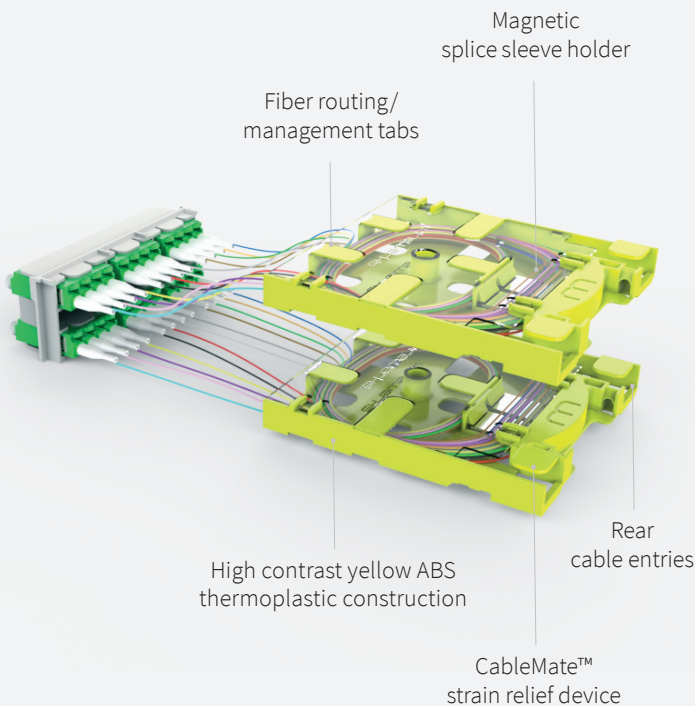
Mini-Splice Tray

The removable **Mini-Splice Tray** (included) serves the triple purpose of: **a)** receiving and securing the incoming cable or pre-term assembly within the module; **b)** providing fiber management, routing and bend-radius protection; and, **c)** providing a platform for fusion splicing when required. One or (optionally) two Mini-Splice Trays may be stacked within the NS 3S-Patch Module, each supporting 12 splices for a total of up to 24 splices per module.

The Mini-Splice tray is fabricated from high-impact, high-contrast yellow ABS thermoplastic that reduces technician eyestrain and speeds installation while increasing installation quality and yield. The Mini-Splice Tray uses Wirewerks' exclusive new **CableMate™** attachment and strain relief device to secure cable entry to the tray, or supports traditional cable-tie attachments if preferred. When splicing is required, the Mini-Splice Tray features Wirewerk's exclusive magnetic splice sleeve holder that secures new splices in place magnetically, eliminating the performance robbing micro-bends often associated with typical press-in-place splice sleeve holders.

Labeling Plate

The slide-out **Labeling Plate** provides generous space for recording port details and the module's internal configuration. The Labeling Plate slides in and out without disturbing the attached or surrounding modules, allowing technicians to verify a module's port addresses and internal configuration without impacting users or connections.

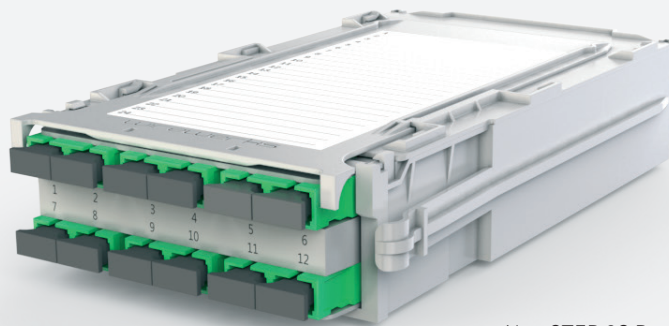


**FEATURES
and BENEFITS**

- Compatible with all **NextSTEP** patch panels and enclosures
- 24 LC or 12 SC patch ports per module; up to 96 LC or 48 SC ports in 1RU
- All front mounted ports presented in the same vertical plane for easy access
- Modules slide-in/out without special tools
- Removable faceplate makes installation easier and faster; includes easy-to-view labeling space
- Self-contained, removable **Mini-Splice Tray** (see PDS-0240) (stackable - up to two per module) supports on-board fusion splicing complete with magnetic splice sleeve holders; provides fiber routing, bend radius protection and strain-relief
- High-contrast yellow thermoplastic Mini-Splice Tray reduces technician eyestrain and speeds installation while increasing installation quality and yield
- Exclusive, new **CableMate™** cable attachment and strain relief device secures incoming cable(s) in Mini-Splice Tray without traditional cable-ties, eliminating performance impairments from crushed cables (cable-ties supported if preferred)
- Fiber management features secure cables and connectors within the module, eliminating unwanted movement in fibers and connections during patching and maintenance operations
- Two cable entry points at rear of module
- Large, slide-out labeling plate provides generous space for port ID and configurations details without disturbing attached or surrounding modules
- Precision engineered and manufactured using high-strength, high-impact ABS thermoplastic materials for strength and durability

APPLICATIONS

- Data Centers
- SANs
- MSO/Broadband Networks
- Enterprise LANs



NextSTEP 3S Patch Module
SC/APC, 12F

ORDERING INFORMATION

Part Number	Description
N3LP-BCCD	Loaded NextSTEP™ 3S Patch Module

Example: N3LP-L12A = LOADED NextSTEP 3S PATCH MODULE, LC/APC, 12 FIBERS

Adapter Type		Fiber Count		Performance	
L	LC	06	06 Fiber	M	62.5/125µm Multimode OM1
C	SC	12	12 Fiber	B	50/125µm Multimode OM2 Bend Insensitive 7.5mm
		24	24 Fiber	G	50/125µm Multimode OM3 Bend Insensitive 7.5mm
				D	50/125µm Multimode OM4 Bend Insensitive 7.5mm
				S	UPC Single Mode OS2 Bend Insensitive 10mm
				A	APC Single Mode OS2 Bend Insensitive 10mm

INCLUDED

Part Number	Included
N3LP-XXXX	Plastic housing with adapters
	Splice tray with splice sleeves and magnets
	Pigtails color coded
	Strain relief
	CableMate™ label template

**PACKAGING
and SHIPPING**

Description	Dimensions	Shipping Weight
Cardboard Box with Insert	11.3" x 8.3" x 1.75" (287mm x 211mm x 44.5mm)	0.85lbs (0.39 kg)

**PHYSICAL
SPECIFICATIONS**

Attribute	Value
Dimensions	7.3" x 4.3" x 1.6" (185mm x 109mm x 41mm)
Weight	0.6lbs (0.27 kg)
Materials	UV 94V-0 high-impact ABS Thermoplastic

**MECHANICAL
SPECIFICATIONS**

Parameter	Value
Operating Temperature	-40° to 75°C (-40° to 167°F)
Storage Temperature	-40° to 85°C (-40° to 185°F)
Temperature Cycling	-40° to 75°C (-40° to 167°F): 40 cycles = 0.2dB change
High Temperature	70°C for 96 hours = <0.4dB change
Mating Durability	500 mating cycles (clean every 25 matings) = <0.2dB change
Damp Heat	40°C (104° F) at 93% RH for 96 hours = <0.4dB change

**STANDARDS
COMPLIANCE****ANSI/TIA-942-A**

Telecommunications Infrastructure Standard
for Data Centers

ANSI/TIA-568-C.3

Optical Fiber Cabling Components Standard

TIA-604 Series

Fiber Optic Connector Intermateability Standard

TIA-455 Series

Standard Test Procedure
for Fiber Optic Components

GR-326-CORE

Generic Requirements for Single Mode Optical
Connectors and Jumper Assemblies

IEC 60874-1

Connectors for Optical Fibers and Cables –
Generic Standard

IEC 61300

Fiber Optic Interconnecting Devices and
Passive Components – Basic Test and
Measurement Procedures

IEC 60874-1

Connectors for Optical Fibers and Cables –
Generic Standard

UL 94

Tests for Flammability of Plastic Material
for Parts in Devices and Appliances

RoHS

Directive on Restriction of Hazardous Substances