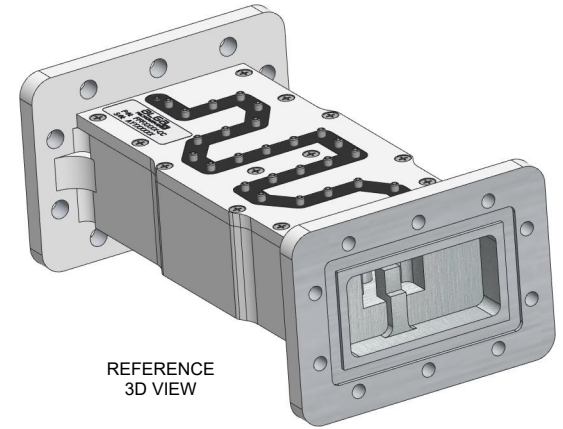


THIS INFORMATION DISCLOSED HEREIN WAS ORIGINATED BY AND IS THE PROPERTY OF ALGA MICROWAVE AND DESIGNED FOR USE EXPRESSLY GRANTED TO A RECEIVING PARTY. ALGA MICROWAVE RESERVES ALL PATENT, PROPRIETARY, DESIGN, USE, TRADE MARKING AND REPRODUCTION RIGHTS THEREON. THIS DOES NOT APPLY TO ANY VENDOR PARTS.

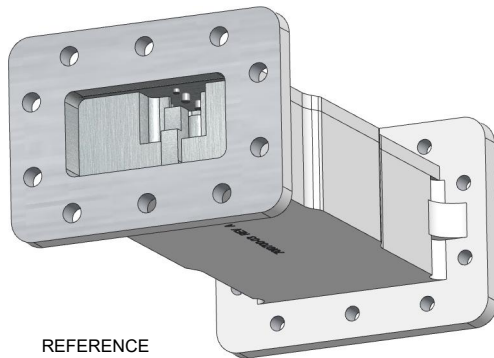
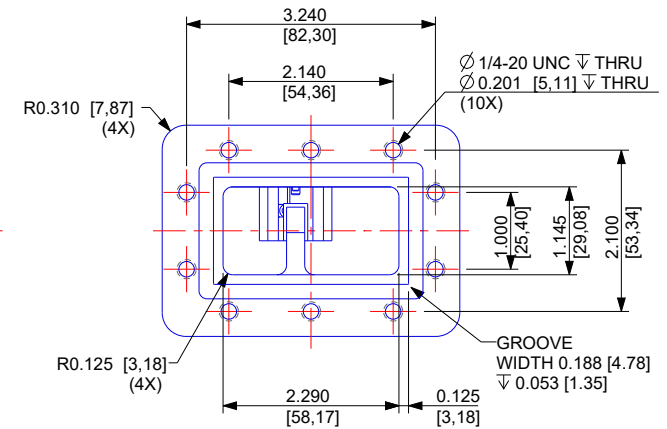
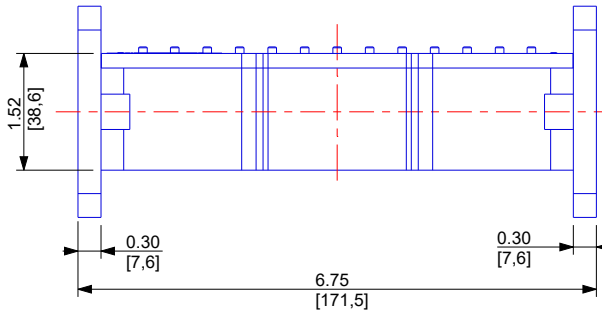
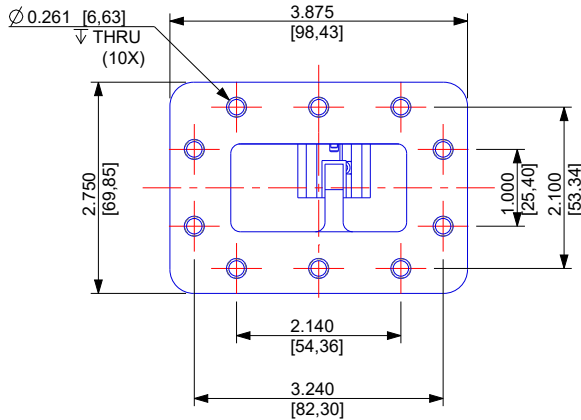
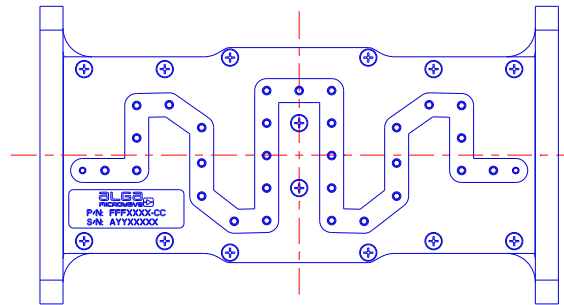
REVISIONS			
REV	E.C.N.	DATE	APPROVED
A	INITIAL RELEASE	Aug 16, 2019	M.B.
B	ECN-20-0008	Feb 26, 2020	P.B.

ELECTRICAL PROPERTIES		
GROUP J FILTER	PASSBAND	4020 - 4200 MHz
	GROUP DELAY VARIATION	1.45 nSec MAX Within ±0.5 MHz
	INSERTION LOSS	1.3 dB MAX
	REJECTION	60 dB MIN AT 4000 MHz 25 dB MIN AT 4230 MHz
	RETURN LOSS	19 dB MIN
GROUP K FILTER	PASSBAND	4000 - 4200 MHz
	GROUP DELAY VARIATION	1.45 nSec MAX Within ±0.5 MHz
	INSERTION LOSS	1.3 dB MAX
	REJECTION	70 dB MIN BELOW 3900 MHz 60 dB MIN AT 3980 MHz 50 dB MIN AT 3983MHz (temp drift) 25 dB MIN ABOVE 4230 MHz
	RETURN LOSS	20 dB MIN

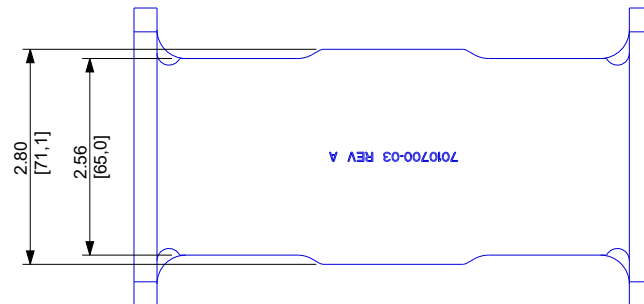
MECHANICAL PROPERTIES	
INTERFACES	FLANGE: UDR40 CPR-229 FLAT FLANGE: PDR40 CPR-229 GROOVED
MATERIAL	ALUMINUM 6061
FINISH	FLANGES: CHEMICAL CONVERSION WAVEGUIDE: SILVER PLATE EXTERIOR: MATTE WHITE PAINT
WEIGHT	2.2 Lbs [998g]
ENVIRONMENTAL PROPERTIES	
OPERATING TEMP	0°C TO +50°C



REFERENCE 3D VIEW



REFERENCE 3D VIEW



Distributed by WESCO, 10814 W. 78th St, Shawnee, KS 66214
www.sateng.com, 913-375-1100

INCH [MILLIMETER]

UNLESS OTHERWISE SPECIFIED DIMENSIONS ARE IN INCHES		FORMAT SIZE: A	18715 Boul. Hymus, Kirkland Quebec, H3H 5M8, CANADA Tel: 514-694-8666 Fax: 514-694-3615 www.alga.ca & www.milcovsat.com	alga MICROWAVE
TOLERANCES AS PER DECIMALS X ±0.01 XXXX ±0.001 XX ±0.005 XXXXX ±0.0005 XXX ±0.002 DEGREES ±0° 30'		DO NOT SCALE DRAWING	TITLE: Filter 4GHz WR229 Group J K	
DRAWN: M.Sobol	DATE: Aug 16, 2019	PART NUMBER: 2100318-03-X		
CHECKED: M.B.	DATE:	DRAWING NUMBER: OD-2100318-03-X		
ENGINEERED: M.B. / P.B.	DATE:	CAGE CODE:	SCALE: 0.400	SHEET: 1 OF 1
APPROVED: P.B.	DATE:			